

PRODUCT INFORMATION PACKET



Model No: C6C17NK31 A

Catalog No: 6439191252

1HP..1800RPM.56C.TENV.115/230V.1PH.60HZ.15 MIN.NOT.40C.1.15SF.RIGID-C.BOAT HOIST.
Boat Hoist Duty



Regal and Leeson are trademarks of Regal Beloit Corporation or one of its affiliated companies.

©2018 Regal Beloit Corporation, All Rights Reserved. MC017097E



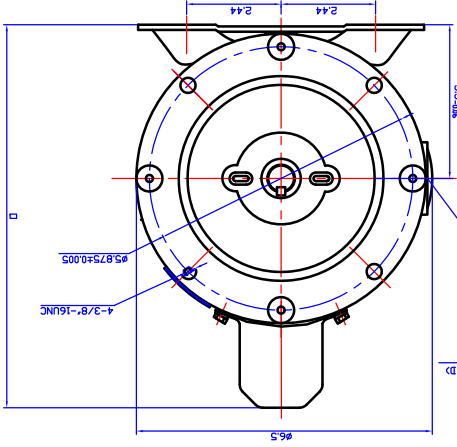
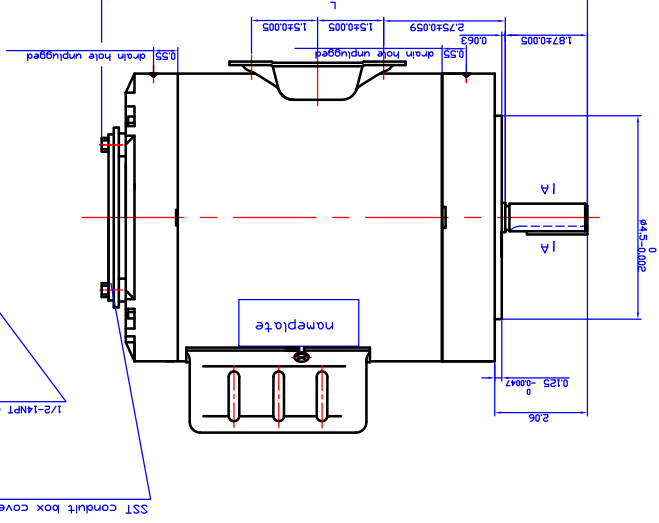
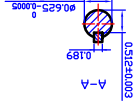


Nameplate Specifications

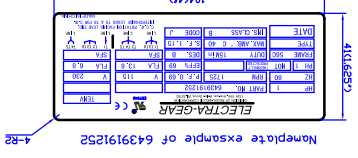
Output HP	1 Hp	Output KW	0.75 kW
Frequency	60 Hz	Voltage	115/230 V
Current	13.6/6.8 A	Speed	1725 rpm
Service Factor	1.15	Phase	1
Efficiency	69 %	Duty	15 Minute
Insulation Class	B	Design Code	N
KVA Code	K	Frame	56C
Enclosure	Totally Enclosed Non Ventilated	Overload Protector	No
Ambient Temperature	40 °C	Drive End Bearing Size	6203
Opp Drive End Bearing Size	6203	UL	Recognized
CSA	Y	CE	Y
IP Code	43		

Technical Specifications

Electrical Type	Capacitor Start Induction Run	Starting Method	Across The Line
Poles	4	Rotation	Selective Counterclockwise
Mounting	Rigid base	Motor Orientation	HORIZONTAL
Drive End Bearing	BALL	Opp Drive End Bearing	BALL
Frame Material	Stainless Steel	Shaft Type	T
Overall Length	11.70 in	Frame Length	6.00 in
Shaft Diameter	0.625 in	Shaft Extension	1.88 in
Assembly/Box Mounting	F1 ONLY		
Outline Drawing	169992.00	Connection Diagram	005005.01



Electra Cat. No.	FRAME	HP	Volt	RPM	Hz	PH	Encl	S.F.	Duty	thermal protector	L	D
6439191250	56C	1/2	115/230	1725	60	1	TENV	1.15	N/A	10.5	8.3	8.7
6439191251	56C	3/4	115/230	1725	60	1	TENV	1.15	N/A	11.1	8.7	8.7
6439191252	56C	1	115/230	1725	60	1	TENV	1.15	N/A	11.7	8.7	8.7



TOLERANCES UNLESS OTHERWISE SPECIFIED

DRAWN

TITLE

6439191250,6439191251,6439191252 outline drawing

APPR.

CUSTOMER

REV. DRAWING NO.

DATE 2009.9.29

REF.

THIS DRAWING IN DESIGN AND DETAIL IS OUR PROPERTY AND MUST NOT BE USED EXCEPT IN CONNECTION WITH OUR WORK ALL RIGHTS OF DESIGN AND INVENTION ARE RESERVED THIS IS AN ELECTRONICALLY GENERATED DOCUMENT - DO NOT SCALE THIS PRINT

SST conduit box cover

1/2-14NPT (PLUGGED)

4-3/8-16UNC

Ø5.875±0.005

Note:
 1. The capacitor leads to be connected using flag terminals.
 2. All the hardwares are using SST.
 3. Drain holes at 6:00.
 4. C flange mounting holes have plugs.

VIEW FROM OUTSIDE OF MOTOR AT SWITCH END.



LINE LEADS



RBC PROPRIETARY AND CONFIDENTIAL INFORMATION
 This document is the property of REGAL BELOIT CORPORATION ("RBC") including its subsidiaries and divisions and contains proprietary information of RBC. This document is loaned on the express condition that neither it nor the information contained therein shall be disclosed to others without the express written consent of RBC, and that the information shall be used by the recipient only as approved expressly by RBC. This document shall be returned to RBC upon its request. This document may be subject to certain restrictions under U.S. export control laws and regulations.

	ROTATION FACING LEAD END	L1	L2	JOIN
HIGH VOLT	C.C.W.	T1	T4, T5	T2, T3, T8
	C.W.	T1	T4, T8	T2, T3, T5
LOW VOLT	C.C.W.	T1, T3, T8	T2, T4, T5	-----
	C.W.	T1, T3, T5	T2, T4, T8	-----

--	REDRAWN IN SOLIDWORKS	VJB 02/16/11	TOLERANCES UNLESS SPECIFIED		LEESON	ELECTRIC MOTORS GEARMOTORS AND DRIVES	DRAWN ADH 08/06/73	
27	UPDATED TO CURRENT STANDARDS	DBT 05/27/97	DEC	INCHES			CHK	
26	ADDED PAGE 32 (114787) & PAGE 33 (114788)	KAZ 12/20/95	PG	.X ±.1	TITLE EXTERNAL WIRING DIAGRAM TYPE "C" W/O PROTECTOR		APPR JCW 03/09/79	
25	ADDED PAGE 31	KAZ 04/19/95	DL	.XX ±.01			SCALE 1:1	
24	ADDED PAGES 29 & 30	KMM 03/30/95	DL	.XXX ±.005	MAT'L DECAL - 004012		REF FIG 2-23 C4A	
23	ADDED PAGE 28	KMM 01/27/95		.XXX ±.0005			FMF MGI-2.4B	
NO	REVISION	BY & DATE	CHK	ANG ±1/2°	FINISH	PAGE	OF	
THIRD ANGLE PROJECTION			RFP	PREV	SIZE	DRAWING NO	REV	
				NETWORK FILE NAME	00500501	A	005005-01	--

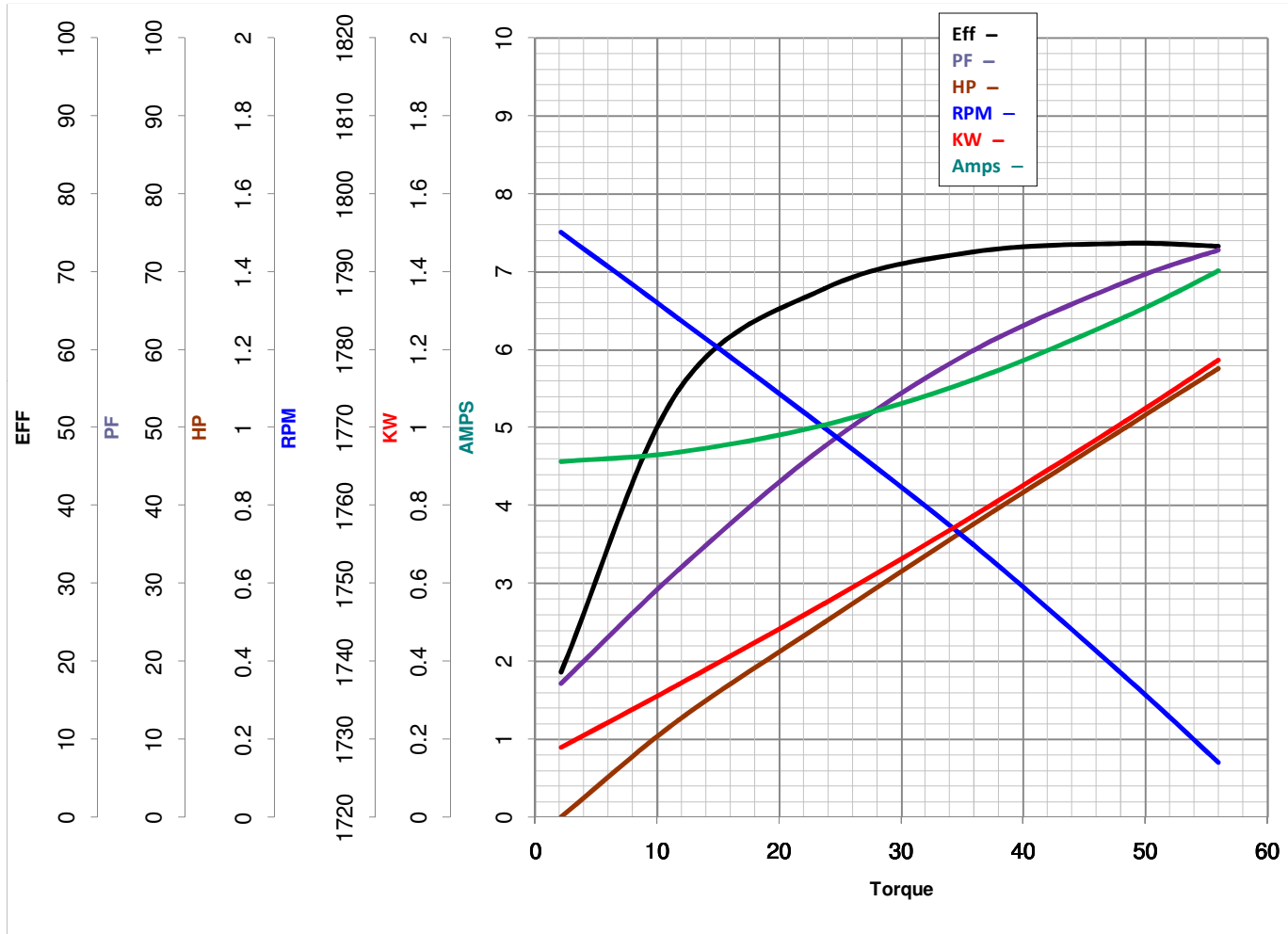


LEESON ELECTRIC CORPORATION
 TYPICAL PERFORMANCE CURVE for AC MOTOR

Curve at 230 Volts HP 1.00 PHASE 1
60 HZ
1 HP VOLTS 115/230
 HZ 60 RPM 1725

Model No 6439191252

Catalog No 6439191252



Torque in Oz.Ft

FL TORQUE 48.4 Oz.Ft
 BD TORQUE 119.0 Oz.Ft
 LR TORQUE 152.3 Oz.Ft

FL AMPS 13.6/6.8
 PU TORQUE 105.9 Oz.Ft
 LR AMPS 36.47

WINDING QC63419-3

Date 4/23/2018